



CFX 50

1/2" x 1/2" End Suction Centrifugal Pump

The CFX 50 is a high performance 316 stainless steel circulator pump making it ideal for marine, commercial, and industrial transfer of chemicals or potable water.

All pumping parts are 316 stainless steel for superior corrosion resistance when pumping chemical compounds. A carbon / ceramic / Viton bellows shaft seal is standard. The CFX 50 series is available in A/C or D/C drives with 1/2" NPT and 1" hose barb port configurations. Marine ignition protected motors available. Pump rotations in 90° degree increments.



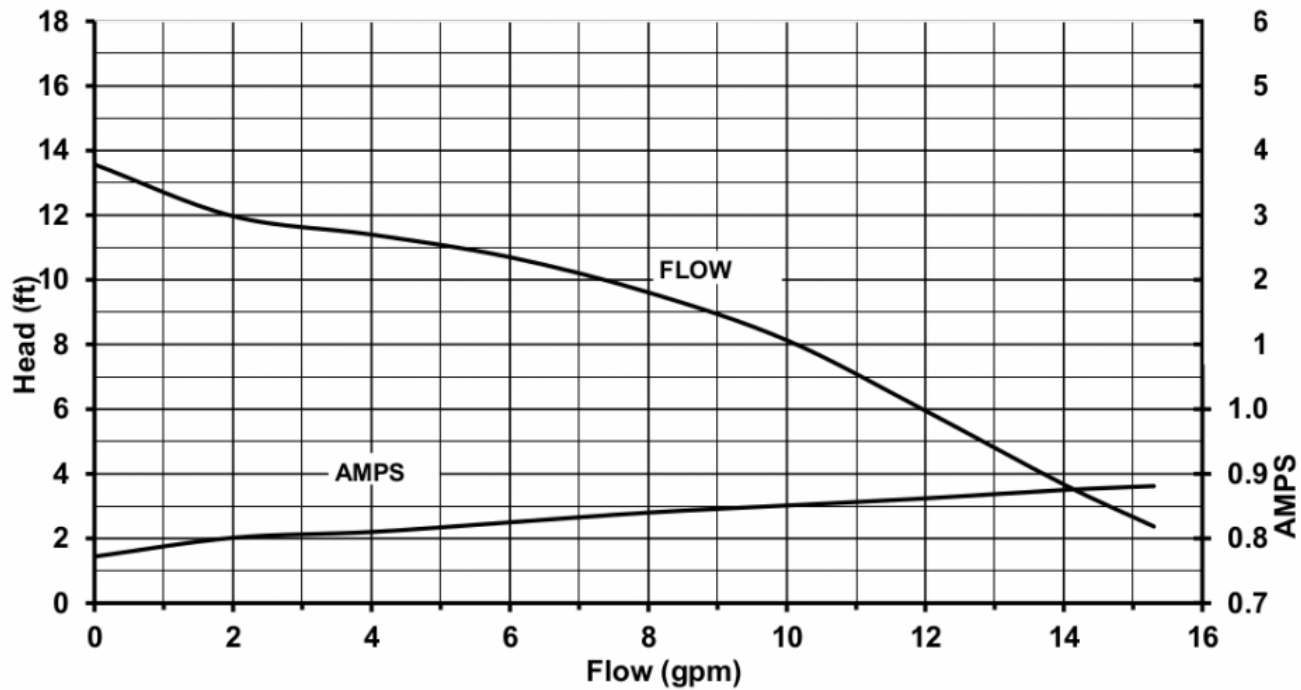
SPECIFICATIONS:

Materials Of Construction	316 stainless steel
Flow	AC - up to 15 GPM, DC - up to 12 GPM
Head Feet	AC - up to 14', DC - up to 16'
Impeller	316 stainless steel semi-open
Drive Options	Close coupled 115V AC, Close coupled 12V DC, Close coupled 230V AC, Close coupled 24V DC
Seal	Carbon / ceramic / Viton bellows 150 PSI, Special seals upon request, Standard carbon / ceramic / Viton

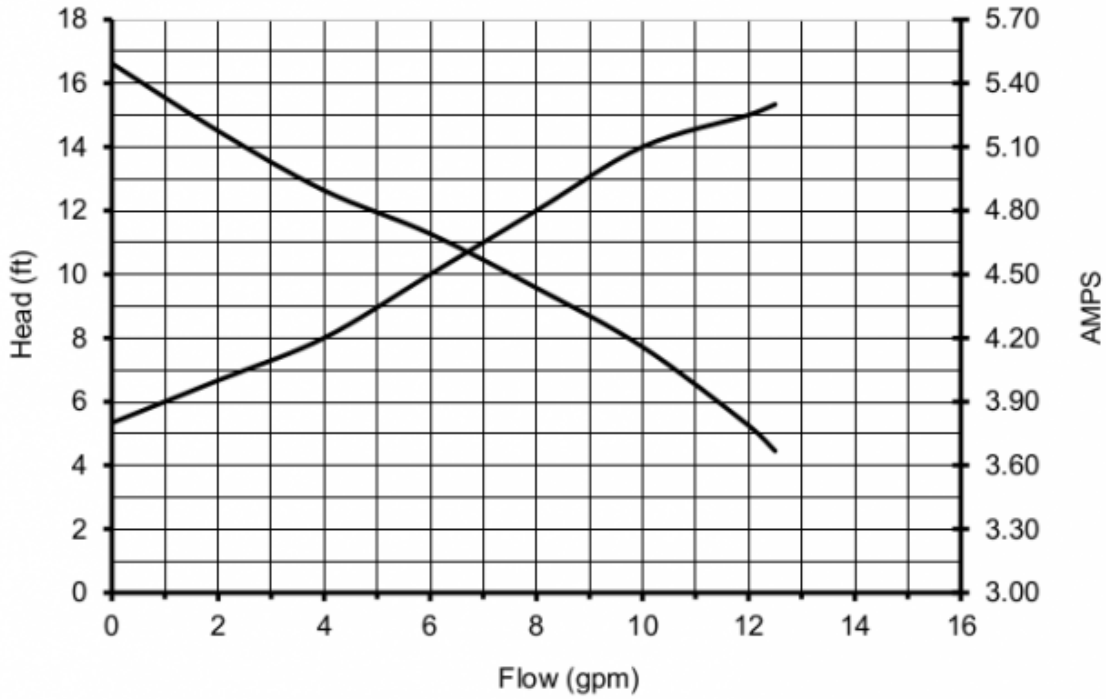
Application

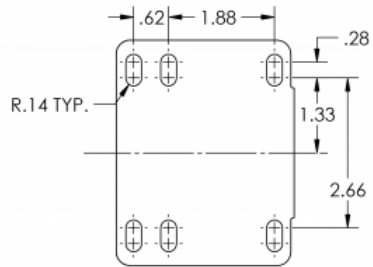
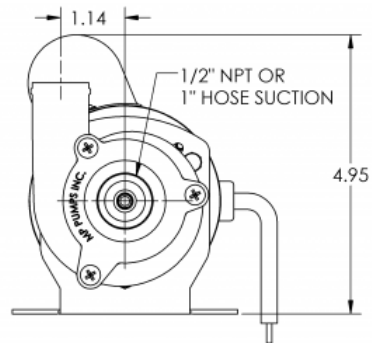
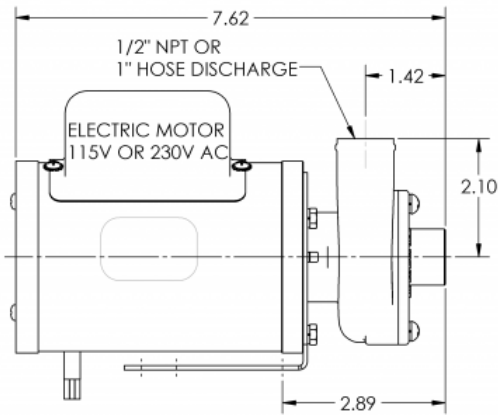
- Agricultural
- Commercial
- Industrial
- Marine
- OEM
- Transportation

**CFX 50 PUMP
115VAC MOTOR**

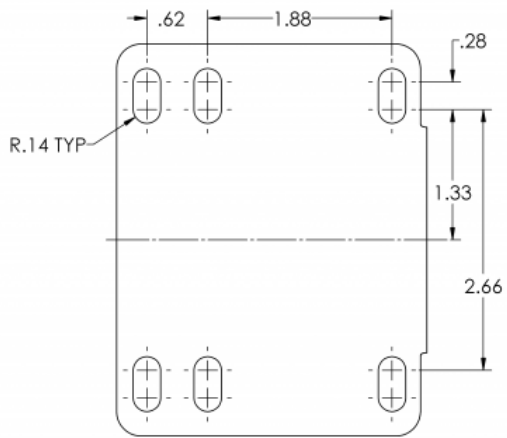
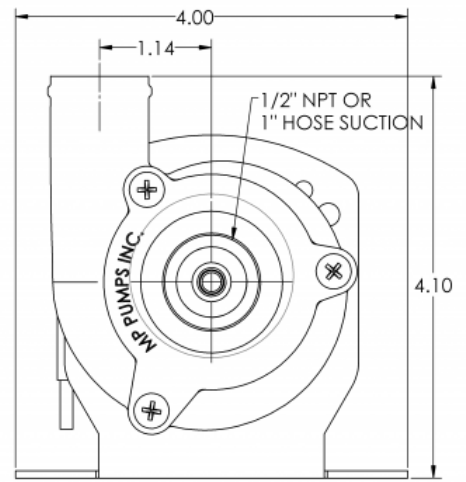
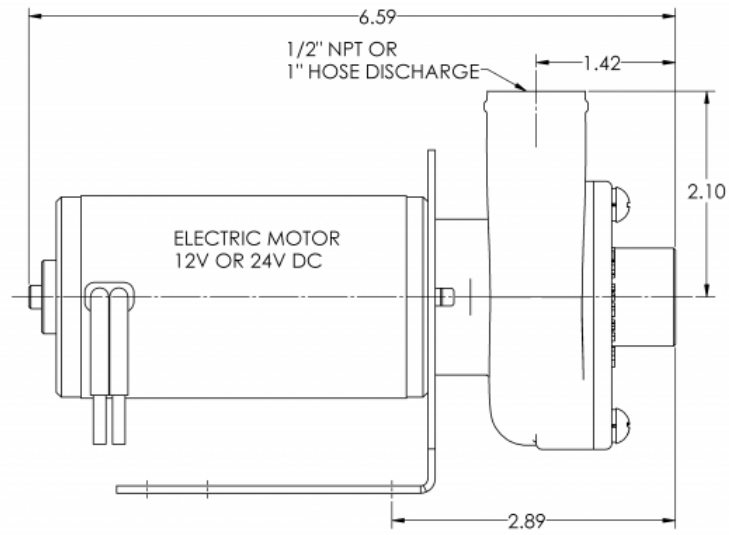


CFX50 PUMP
1/2" NPT X 1/2" NPT
12VDC MOTOR
FOR 24VDC MOTOR DIVIDE AMPS BY TWO

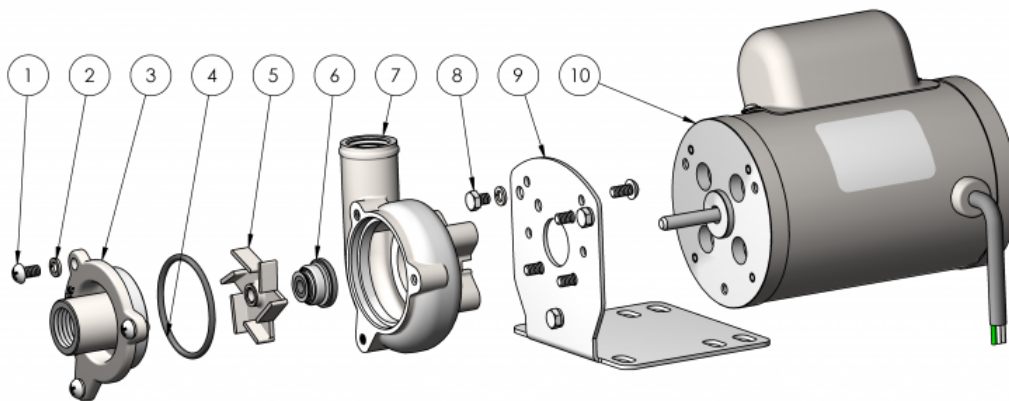




CFX 50 WITH AC MOTOR

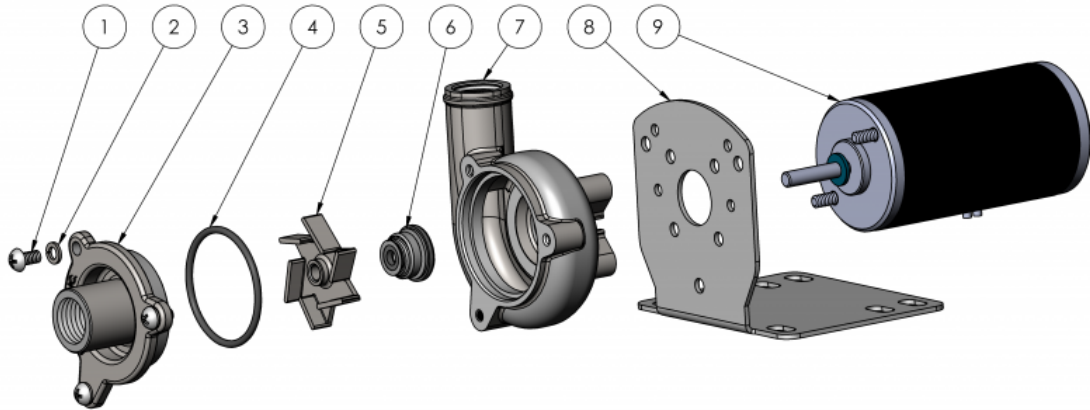


CFX50 WITH DC MOTOR



ITEM NO.	PART NUMBER	DESCRIPTION	MATERIAL	QTY.
1	34836	SCREW	304 SS	7
2	21621	LOCKWASHER	316 SS	6
3	34728	COVER	316 SS	1
4	34953	O-RING	VITON	1
4	39370	O-RING	BUNA	1
5	34525	IMPELLER	316 SS	1
6	34527	SEAL ASSEMBLY	CAR/CER VITON	1
6	39368	SEAL ASSEMBLY	CAR/CER BUAN	1
7	34726	HOUSING	316 SS	1
8	35034	SCREW	304 SS	3
9	34736	BASE	304 SS	1
10	34732	ELECTRIC MOTOR 115V AC	TEFC	1
10	35351	ELECTRIC MOTOR 230V AC	TEFC	1

CFX 50 WITH AC MOTOR



ITEM NO.	PART NUMBER	DESCRIPTION	MATERIAL	Default/
1	34836	SCREW	304 SS	3
2	21621	LOCKWASHER	316 SS	3
3	34728	COVER	316 SS	1
4	34953	O-RING	VITON	1
4	39370	O-RING	BUNA	1
5	34525	IMPELLER	316 SS	1
6	34527	SEAL ASSEMBLY	CAR/CER VITON	1
4	39368	SEAL ASSEMBLY	CAR/CER BUAN	1
7	34726	HOUSING	316 SS	1
8	34736	BASE	304 SS	1
9	34733	ELECTRIC MOTOR 12V DC	TEFC	1
9	34992	ELECTRIC MOTOR 24V DC	TEFC	1

CFX50 WITH DC MOTOR